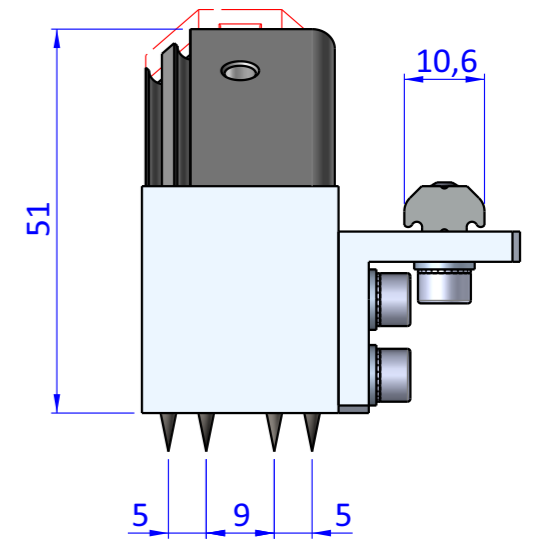
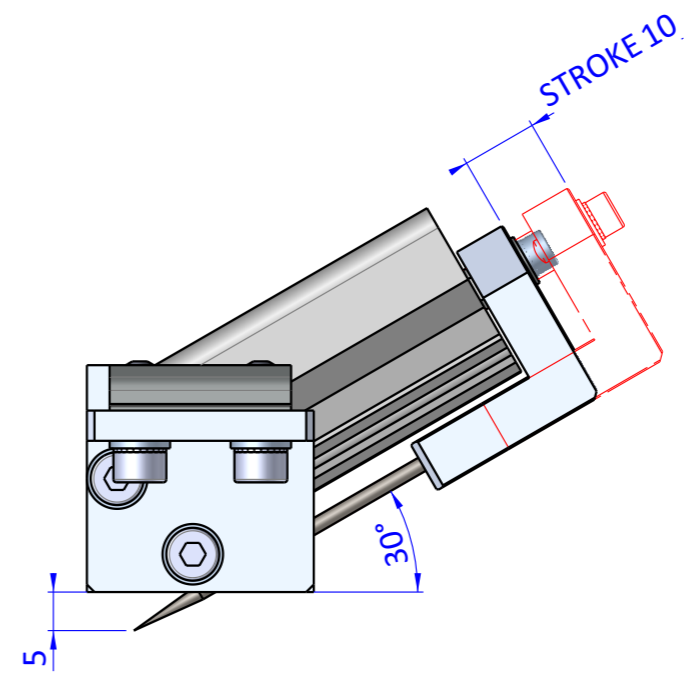
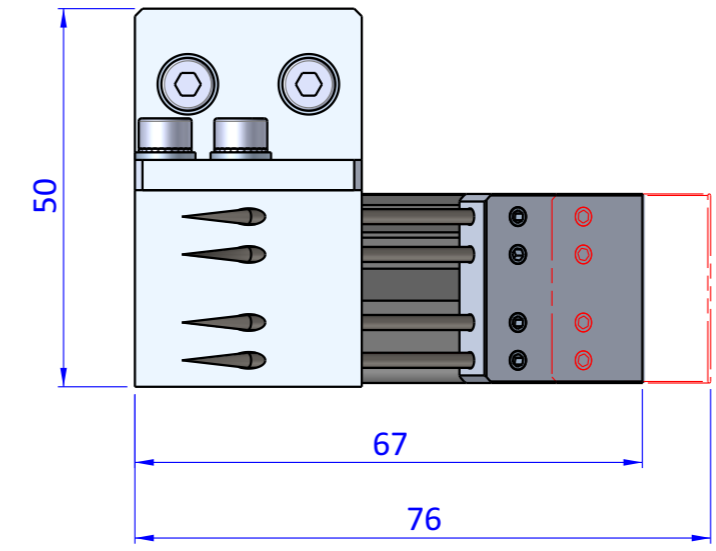
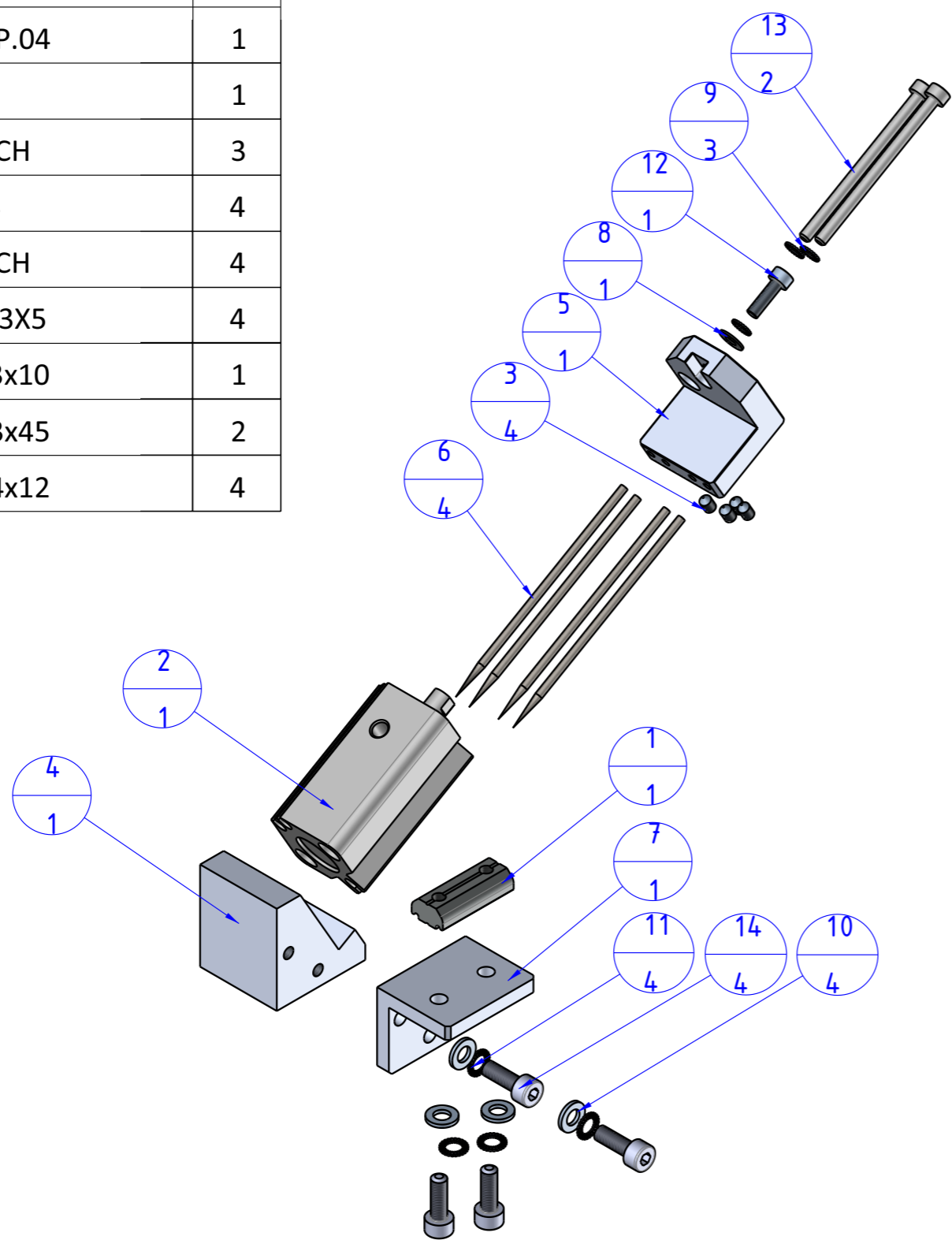



THE PROPERTY OF THE DRAWING IS ESTABLISHED BY LAW. IT IS FORBIDDEN TO PRODUCE OR SHOW IT TO THIRD PART - WITHOUT A WRITTEN AGREEMENT.

Item	Name	Q.ty
1	CA.GWP.4.16	1
2	CDQ2B12-10TZ	1
4	PAA.AP.01	1
5	PAA.AP.02	1
6	PAA.AP.03	4
7	PAA.AP.04	1
8	R.3	1
9	R.3.SCH	3
10	R.4	4
11	R.4.SCH	4
3	V.STM3X5	4
12	V.TCE3x10	1
13	V.TCE3x45	2
14	V.TCE4x12	4



Format A3  
UNI 936-76

 <b>FPS</b> FPSERVICES AUTOMATION		DESIGNED FROM		REVIEW
		FPS Automation		A
GENERAL TOLERANCE		DATE		WEIGHT
UNI - ISO 2768		08/06/2022		0,100kg
CLASSE f		CODE		
		CA.PAA.AP		CA.PAA.AP